

DUMP TRUCK



Type: MK-A40

Key Figures

- body range 24 m³
- load capacity 40,000 kg
- unladen weight 33,500 kg
- length 10,625 mm
- width 3,300 mm
- height / loading 3,327 – 2,700 mm
- traction 340 kN

Components

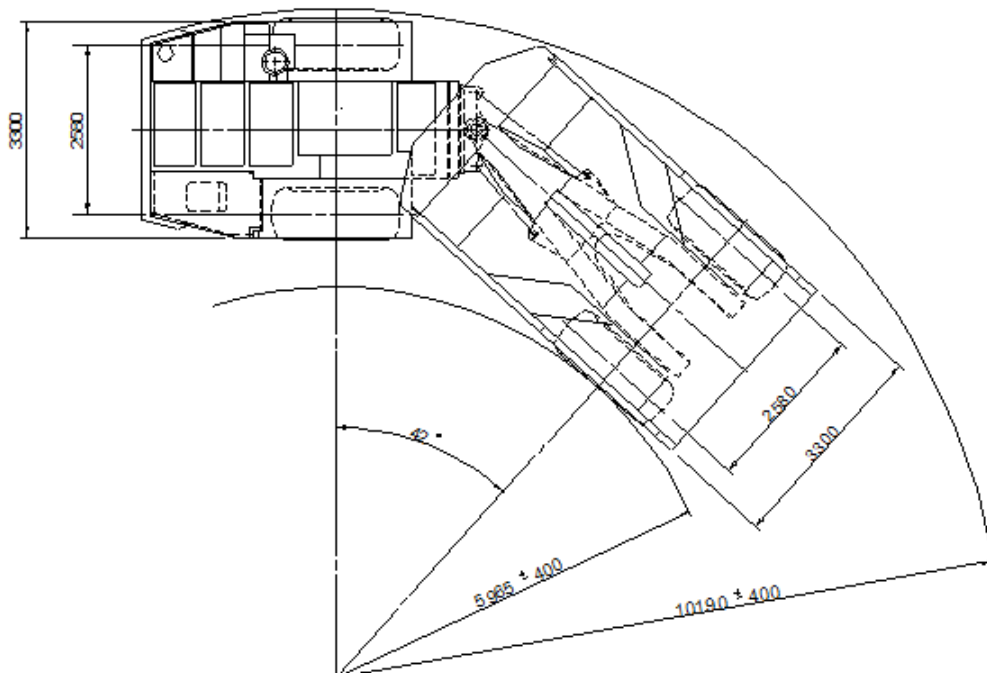
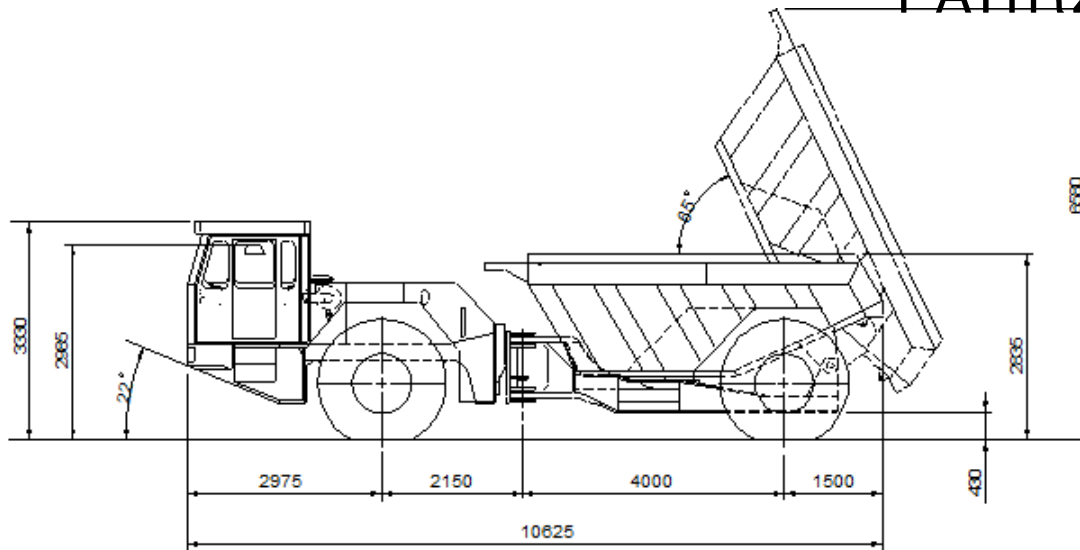
- Engine Deutz BF8M2015 COM III
water cooled 320 – 400 kw
- Transmission Dana series 8.000
- Axles Kessler D 101
- Tyres 29.5 - 29

Features

- FOPS cabin
- LCB Brakes
- four wheel drive
- special linkage for higher lifetime and operation safety

Dimensions

GHH
FAHRZEUGE



Special Features

The dump truck MK-A40 is one of the biggest dump trucks in the program range of GHH Fahrzeuge. With the front axle suspension and the articulated swivel hinge the dump truck has an optimal ground contact, whether the vehicle is loaded or empty, even high speeds on bad road surfaces are ensured. The turntable seat with its bidirectional feature gives the operator the possibility to work fast in both directions without turning the vehicle in tide situations or in cost intensive niches.