

# LOAD HAUL DUMP



## Type: SLP-12H

### Key Figures

- bucket range **8.5 m<sup>3</sup>**
- load capacity **12 t**
- unladen weight **45,200 kg**
- length **11,039 mm**
- width vehicle **3,702 mm**
- width bucket **4,600 mm**
- height **1,650 mm**

### Components

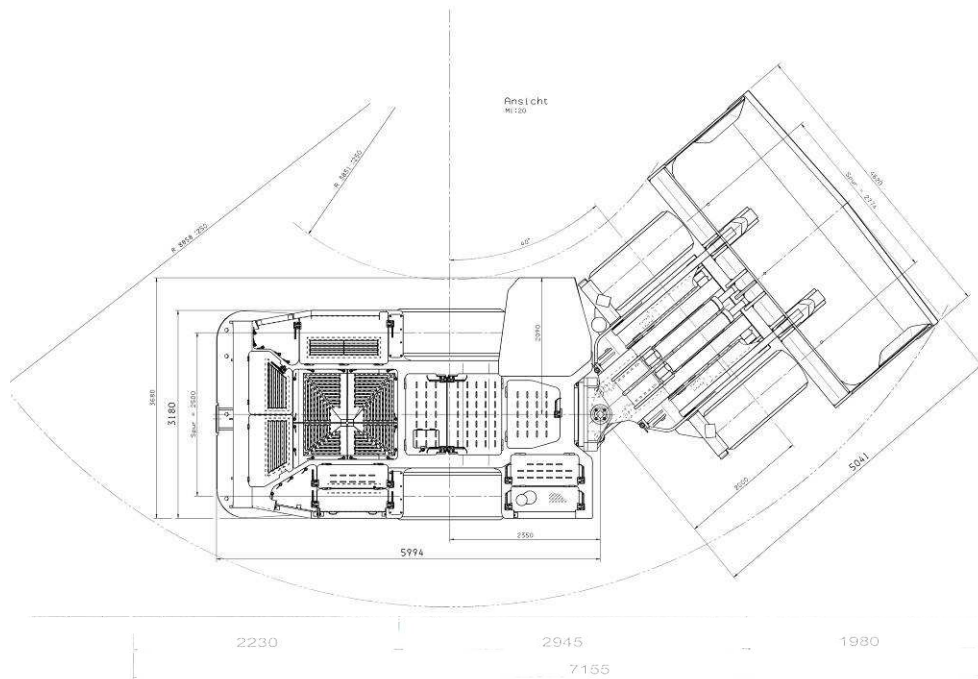
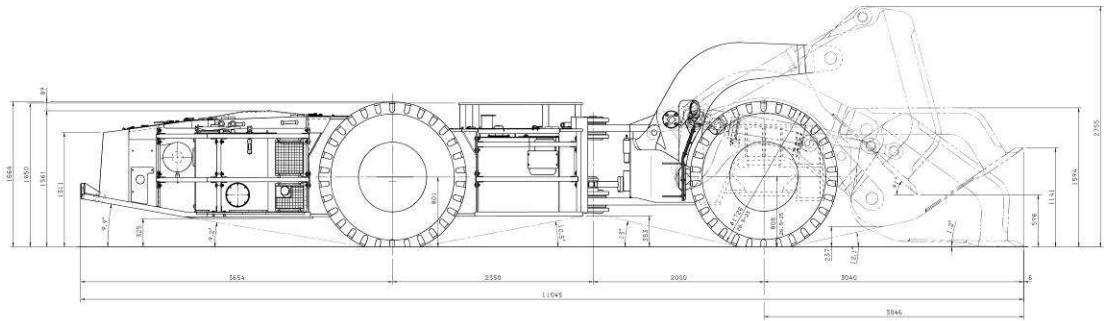
- Engine **Deutz TCD7.8L6**
- water cooled **240 kW**
- Pump distrib. gear box **Stiebel**
- Axle distrib. gear box **Rögelberg**
- Axles **Kessler D106**
- Tyres **26.5 – 25**
- tractive force **320 kN**

### Features

- FOPS and side seated canopy
- LCB brakes
- four wheel drive
- special linkage for higher lifetime and breakout force

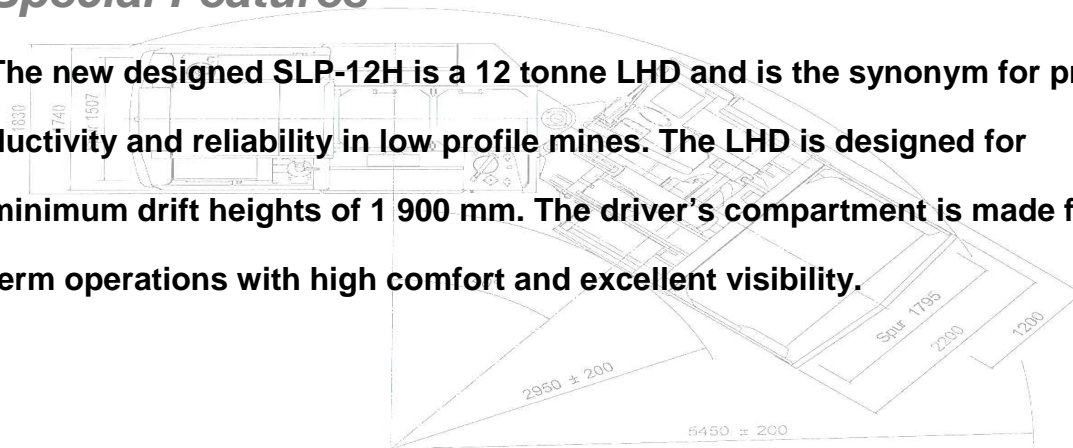
GHH-Fahrzeuge

# Dimensions



## Special Features

The new designed SLP-12H is a 12 tonne LHD and is the synonym for productivity and reliability in low profile mines. The LHD is designed for minimum drift heights of 1 900 mm. The driver's compartment is made for long-term operations with high comfort and excellent visibility.



GHH-Fahrzeuge