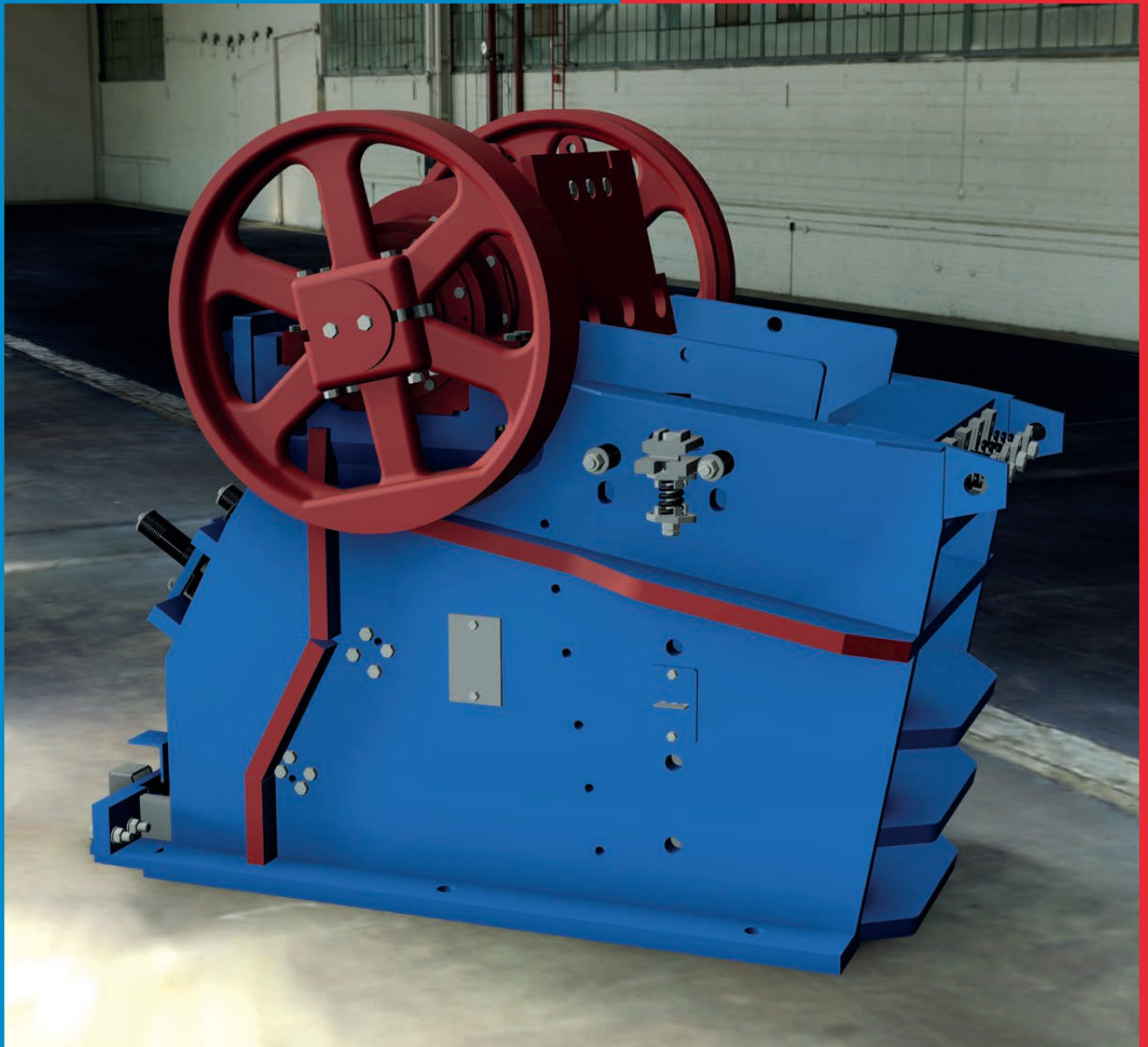




Astro Jaw

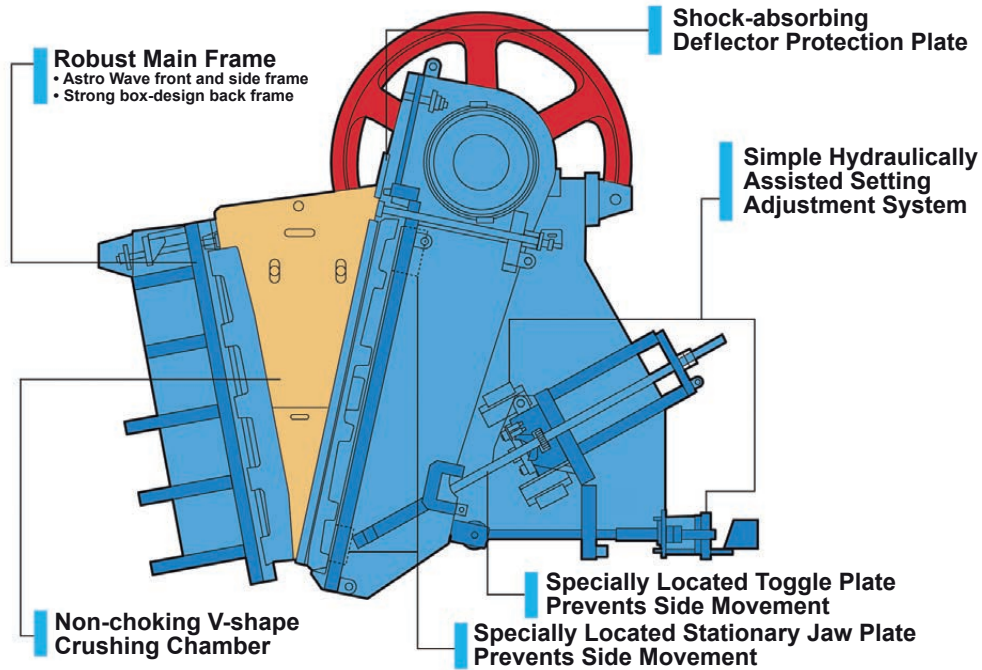
Single Toggle Jaw Crusher



- Increased capacity with new “V Shape” crushing chamber
- Designed to lower your crushing costs
- Reduced set adjustment time
- Compact and simple design
- Ease of installation, serviceability and productivity

Astro Jaw E Series Single Toggle Jaw Crusher

In addition to bringing you high performance, the Astro Jaw is also designed to bring your total crushing costs down. Each unique feature brings with it specific benefits that have a direct impact on your operation.

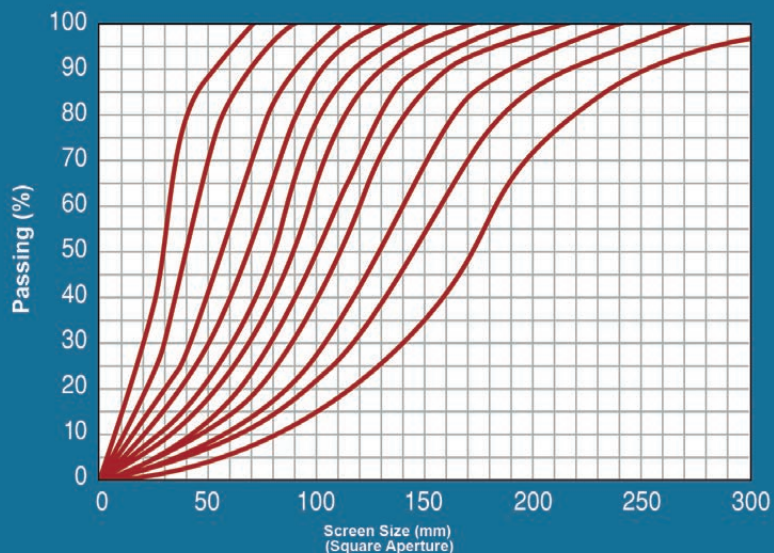


Model and Capacity

| Crusher Size | Feed Opening | Allowable Max Feed Size (mm) | Throughput Capacity (t/h) | | | | | | | | | | | | | Motor | | Weight (ton) | | | |
|--------------|--------------|------------------------------|---|-----|-----|-----|-----|-----|-----|-----|-----|-----|-----|-----|-----|-------------|----------------|--------------|-----------|-------|------|
| | | | Discharge Setting (Closed Side Setting: CSS) (mm) | | | | | | | | | | | | | Output (Kw) | Pole 50Hz/60Hz | | | | |
| | | | 50 | 65 | 75 | 90 | 100 | 115 | 125 | 140 | 150 | 165 | 180 | 190 | 200 | | | | 220 | 250 | |
| 36 - 25 | 910 x 630 | 500 x 700 x 1000 | 125 | 145 | 160 | 180 | 195 | 215 | 225 | 245 | 255 | 275 | 290 | | | | | | 75 ~ 95 | 6 / 6 | 17.8 |
| 42 - 30 | 1070 x 760 | 600 x 800 x 1200 | | 195 | 215 | 245 | 260 | 285 | 305 | 325 | 345 | 365 | 390 | 405 | 420 | | | | 95 ~ 100 | 6 / 6 | 26.9 |
| 48 - 36 | 1220 x 910 | 700 x 950 x 1400 | | | 280 | 310 | 330 | 365 | 385 | 420 | 440 | 470 | 495 | 515 | 535 | 570 | | | 130 ~ 150 | 6 / 6 | 39.6 |
| 54 - 42 | 1370 x 1070 | 850 x 1100 x 1700 | | | | 465 | 395 | 440 | 470 | 510 | 535 | 580 | 615 | 645 | 670 | 720 | | | 150 ~ 175 | 6 / 6 | 58.8 |
| 60 - 48 | 1520 x 1220 | 1000 x 1350 x 2000 | | | | | 495 | 530 | 585 | 620 | 670 | 720 | 755 | 785 | 850 | 950 | | | 190 ~ 220 | 6 / 6 | 80.8 |

Note: 1. Capacities shown in this table are based on limestone or similar with bulk density of 1.6t/m³
 2. Capacity may vary depending on the material characteristics. Above table based on andesite.

Product Size Distribution



IMS Engineering is a leading comminution and separation / sorting technology provider. The company focuses on end product requirements and provides optimal crushing solutions from concept to design through to end of plant.

IMS offers its customers an extensive range of application specific comminution solutions adapted to suit international mining and materials processing conditions. An example of IMS's philosophy of Machines Matched to Material is their robustly designed Single Toggle Astro Jaw Crusher. The compact and simple design ensures ease of maintenance and installation, excellent reliability, high fatigue strength and a considerable reduction in set adjustment time. These features combined with increased capacity by use of a new "V-shape crushing chamber" and a labyrinth type lubrication seal for superior dust protection means exceptionally high crusher availability, cost efficient crushing and low cost per ton.

Factors ensuring the Astro Jaw optimizes performance

- Extended jaw plate life
- Higher capacity
- Higher reduction ratios
- Improved feed acceptance capability
- Ease of maintenance and installation minimizing downtime
- Available for mobile applications
- Effective, active feed opening

After Sale Service

IMS has built a redoubtable reputation for excellent after sales service with dedicated assembly and product support facilities, including specialist technicians who are available for any on-site requirements on a 24 hour call out basis. In addition availability of essential parts and consumables, efficient and quick logistical processes and fully trained operators all ensure trouble-free operations and maximize productivity.

Whatever your crushing needs – you will find the optimum solution with the Single Toggle Astro Jaw Crusher.

Capacity is increased by new "V Shape" crushing chamber

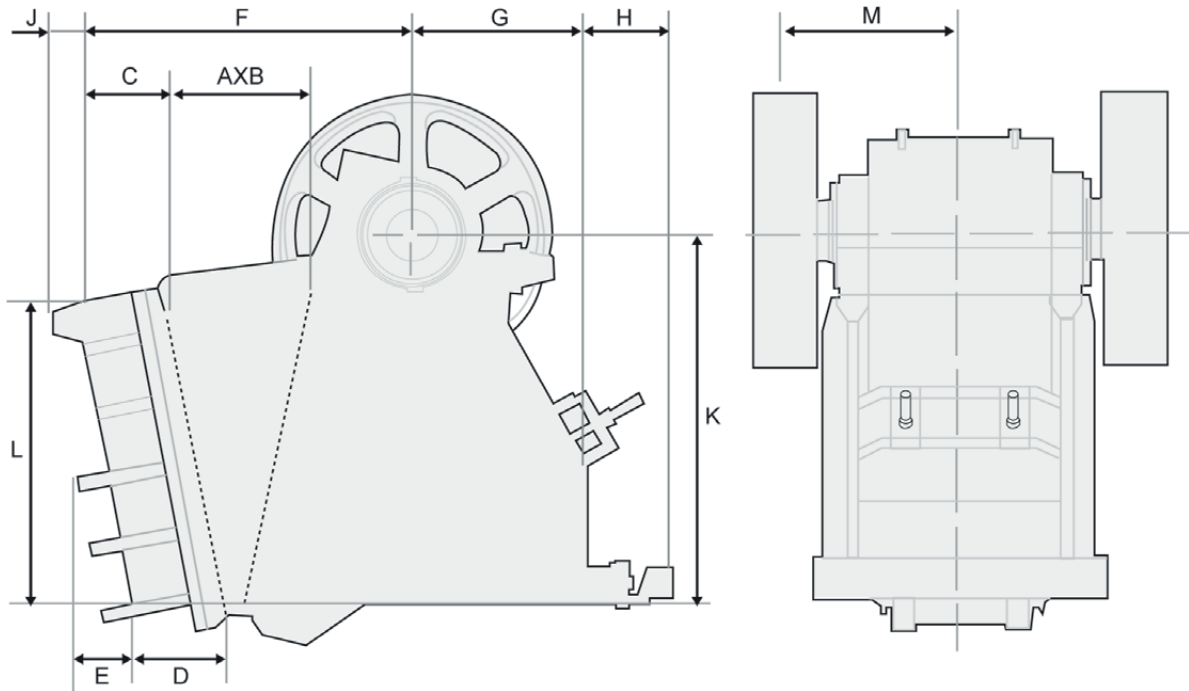
Setting Adjustment time is reduced by up to half of conventional type jaw crushers

Compact and simple design. Easy and safe maintenance and installation





Astro Jaw E Series Dimensions



| Model | A | B | C | D | E | F | G | H | J | K | L | M |
|---------|------|------|-----|-----|-----|------|------|-----|-----|------|------|------|
| 36 - 25 | 910 | 630 | 440 | 455 | 255 | 1615 | 885 | 445 | 185 | 1770 | 1475 | 810 |
| 42 - 30 | 1070 | 760 | 525 | 540 | 300 | 1905 | 1015 | 550 | 200 | 2115 | 1750 | 910 |
| 48 - 36 | 1220 | 910 | 595 | 665 | 360 | 2135 | 1115 | 575 | 200 | 2440 | 2055 | 1160 |
| 54 - 42 | 1370 | 1070 | 690 | 715 | 385 | 2580 | 1290 | 600 | 250 | 2860 | 2425 | 1220 |
| 60 - 48 | 1520 | 1220 | 795 | 815 | 445 | 3005 | 1320 | 625 | 300 | 3290 | 2770 | 1335 |

Note: All units in mm

IMS Engineering (Pty) Ltd
 10 Derrick Street, Spartan, Kempton Park, 1620
 PO Box 8003, Edleen, 1625
 Spartan Call Centre (24/7): Tel: 082 IMS ENG (+27(0)82 467 364) Fax: 011 970 3200
 Main Telephone Number: +27(0)1000-18200
 Email: imse@imgroup.co.za
www.imsengineering.co.za

Astro Jaw is produced under licence from EarthTechnica Ltd,
 a Kawasaki Heavy Industries Company.