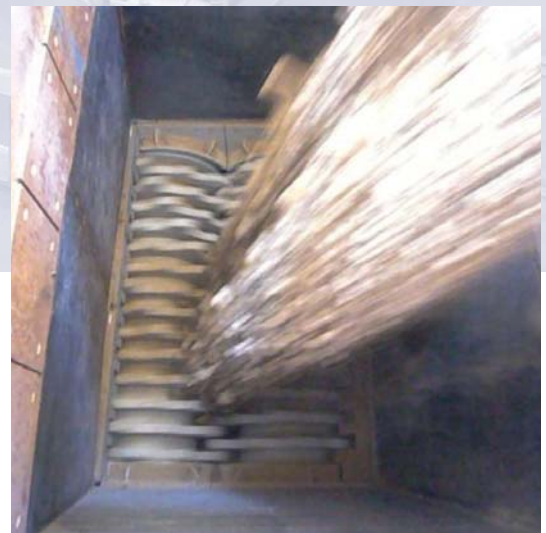
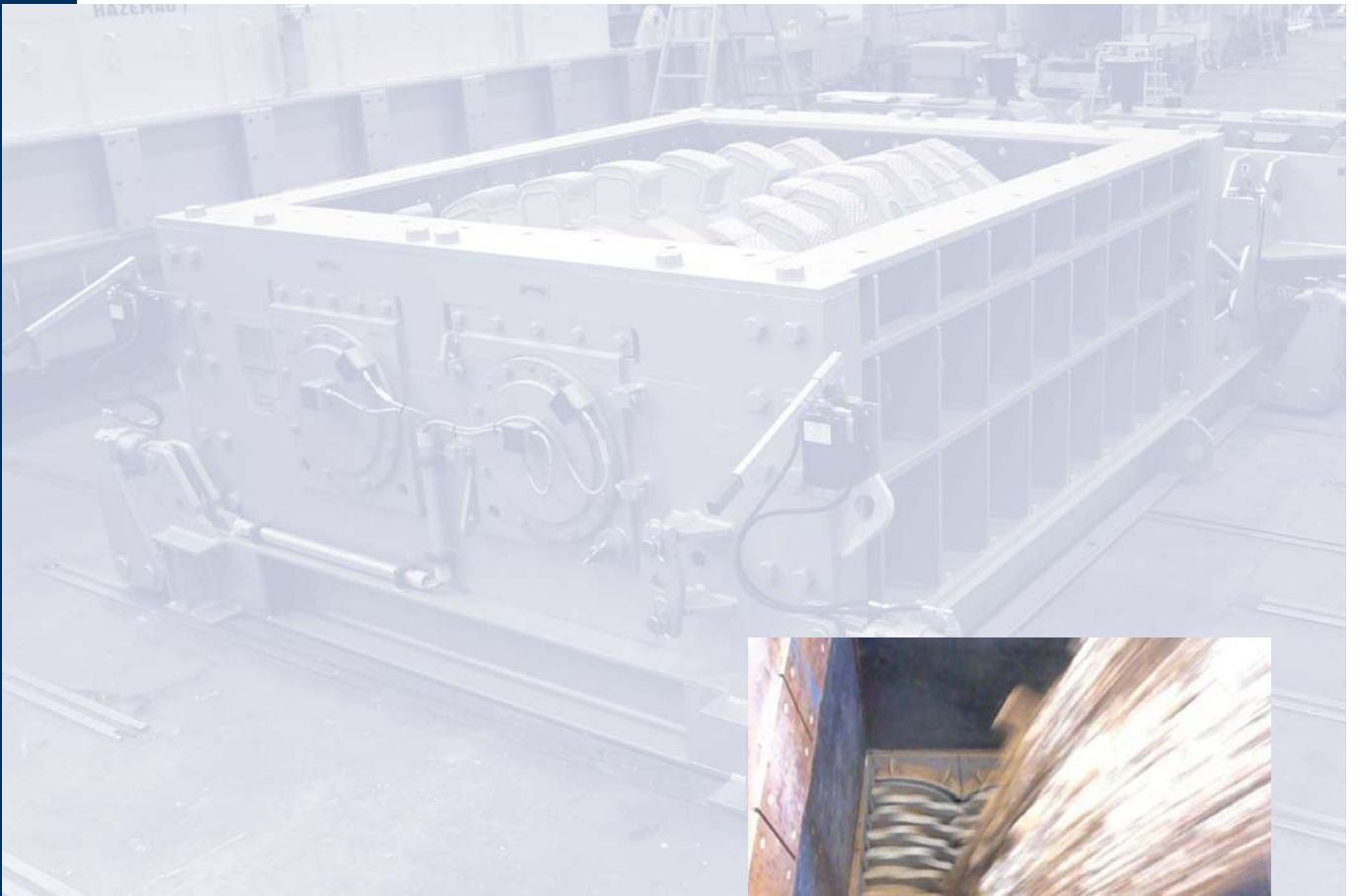


# Center Sizer HCS Side Sizer HSS



**HAZEMAG**



## HAZEMAG- Center Sizer HCS / Side Sizer HSS

### Application

The HAZEMAG-Sizer is used as a primary, secondary or tertiary crusher for soft to medium-hard raw materials. It has also proved optimal in the comminution of cohesive materials with high moisture content.

Following materials can be crushed with HAZEMAG-Sizers: Limestone, clay, flint clay, gypsum, coal, coke, phosphate, marl, oil shale, chalk, salts, overburden material, quicklime, gas-aerated concrete bricks, fertiliser...

### Method of work / equipment

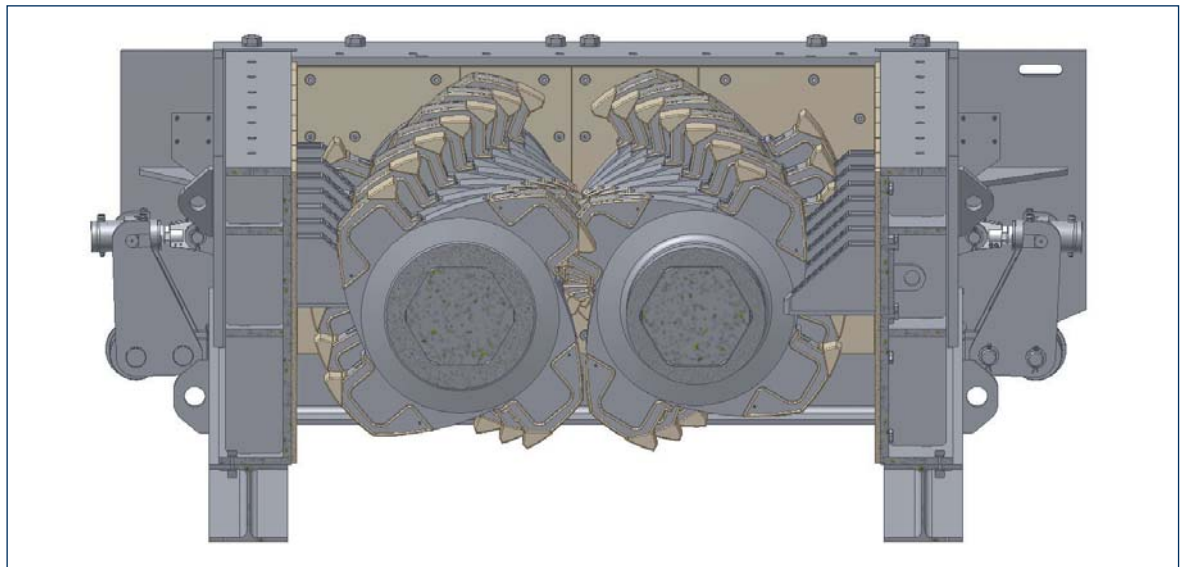
The comminution of the feed material is generally realized by compression and shearing induced by two fixed crushing rolls at low speed with high torque. For the Center Sizer the crushing takes place between the two inward rotating crushing rolls. For the Side Sizer the crushing takes place between the outward rotating two crushing rolls and the associated crushing wall.

### Sizer housing

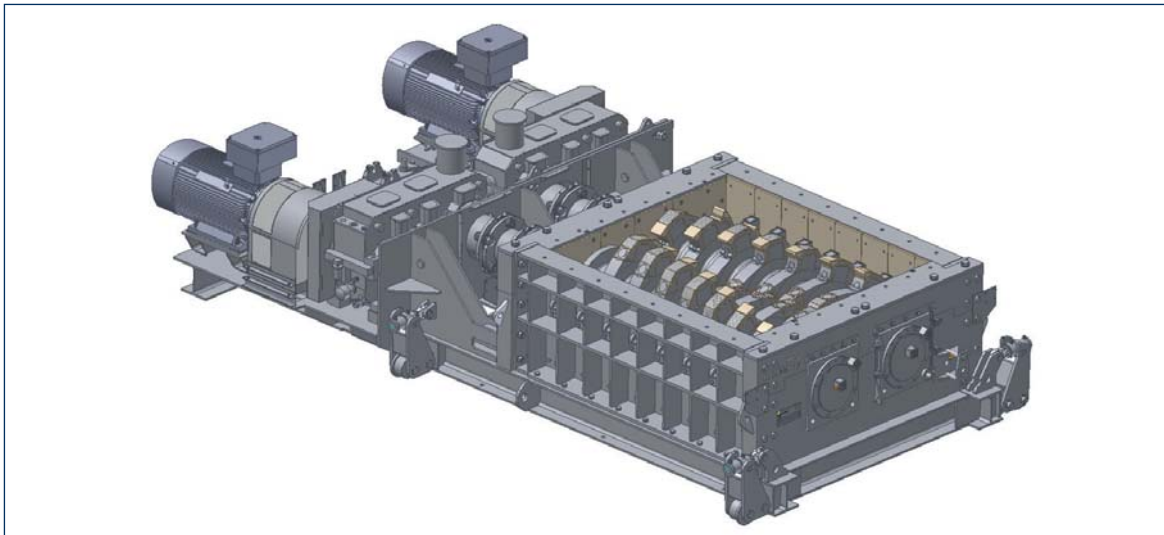
The multi-sectional Sizer housing is mainly made out of six single parts which are screwed together. The housing of larger sizers are bolted onto the frame. The inside of the Sizer housing is protected by wear plates. Additionally for the Side Sizer, the crushing comb is installed. Inside the lateral parts of the housing the bearings of the rolls are installed.

### Drive

The direct drive consists of electric motor, fluid coupling, gear box and mechanical coupling. In case of jamming, the rolls can be reversed.



HAZEMAG Center Sizer *	Standardized crusher width xy*	Roll diameter D [mm]	Total installed power ** [kW]	Inlet L x B [mm]	Machine weight without drive [kg]
HCS 06 xy	10 / 13 / 20 / 25 / 30	max. 860	≥ 2 x 45	max. 1.500 x 1.020 - 3.020	13.500 - 34.500
HCS 08 xy	13 / 20 / 25 / 30	max. 1.100	≥ 2 x 90	max. 1.950 x 1.320 - 3.030	21.000 - 42.500
HCS 10 xy	16 / 20 / 25 / 30	max. 1.250	≥ 2 x 160	max. 2.300 x 1.620 - 3.020	34.500 - 66.000
HCS 12 xy	20 / 30	max. 1.550	≥ 2 x 200	max. 2.900 x 2.020 - 3.020	68.000 - 98.500



### Crushing Rolls

The crushing rolls for primary and secondary crushers consist of shafts with crushing rings combined with exchangeable crushing caps. The crushing rolls for secondary / tertiary crushers consist of shafts which are equipped with crushing segments. As a result of the special geometry of the shaft / crushing rings and the crushing tools, an optimal, form-fitting attachment is realised. The shape and the quantity of teeth are selected in dependence of the respective task definition.

### Special HAZEMAG features

- + HAZEMAG machines are very easily accessible, for quick inspection and maintenance work. A fast restart of operation is guaranteed with minimum intervention.
- + The housing is reinforced with easily-replaceable wear parts.
- + Generously-equipped and modern manufacturing and installation possibilities at the plant in Dülmen guarantee high-quality machines and systems.
- + Installation, repair, conversion and assembly are carried out by experienced customer service technicians, if necessary also in shift-operation around the clock. Of course HAZEMAG offers inspection contracts, as well as the procurement of replacement and wear parts.



HAZEMAG Side Sizer *	Standardized crusher width xy* [mm]	Max. roll diameter D [mm]	Total installed power ** [kW]	Inlet H x B [mm]	Machine weight without drive [kg]
HsS 06 xy	13 / 20 / 25 / 30 / 40	max. 660	≥ 2 x 45	max. 1.650 x 1.320 - 4.020	13.200 - 42.000
HsS 08 xy	13 / 20 / 25 / 30 / 40	max. 900	≥ 2 x 75	max. 1.950 x 1.320 - 4.020	16.500 - 62.500

\* We supply further sizes and designs on request

\*\* Power requirements depend on many factors, such as characteristics of feed material, product size and grain size

## CRUSHING



## GRINDING



## DRYING



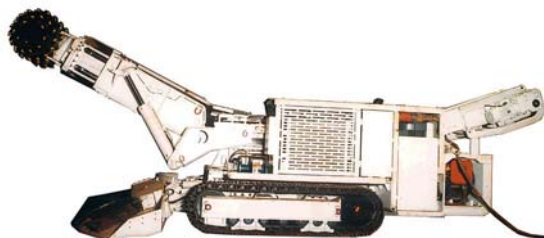
## SCREENING



## CONVEYING



## TUNNELLING



## DRILLING / ANCHORING



## LOADING / DINTING



HAZEMAG & EPR GmbH  
Brokweg 75 · 48249 Dülmen · Germany  
phone +49 2594 77-0 · fax +49 2594 77-400  
info@hazemag.de · www.hazemag.de